

 **FARMA**®

**Forest Crane**

**C4,6S G2**

**C4,6D G2**

EN\_S2.0-2019W25

Original instruction

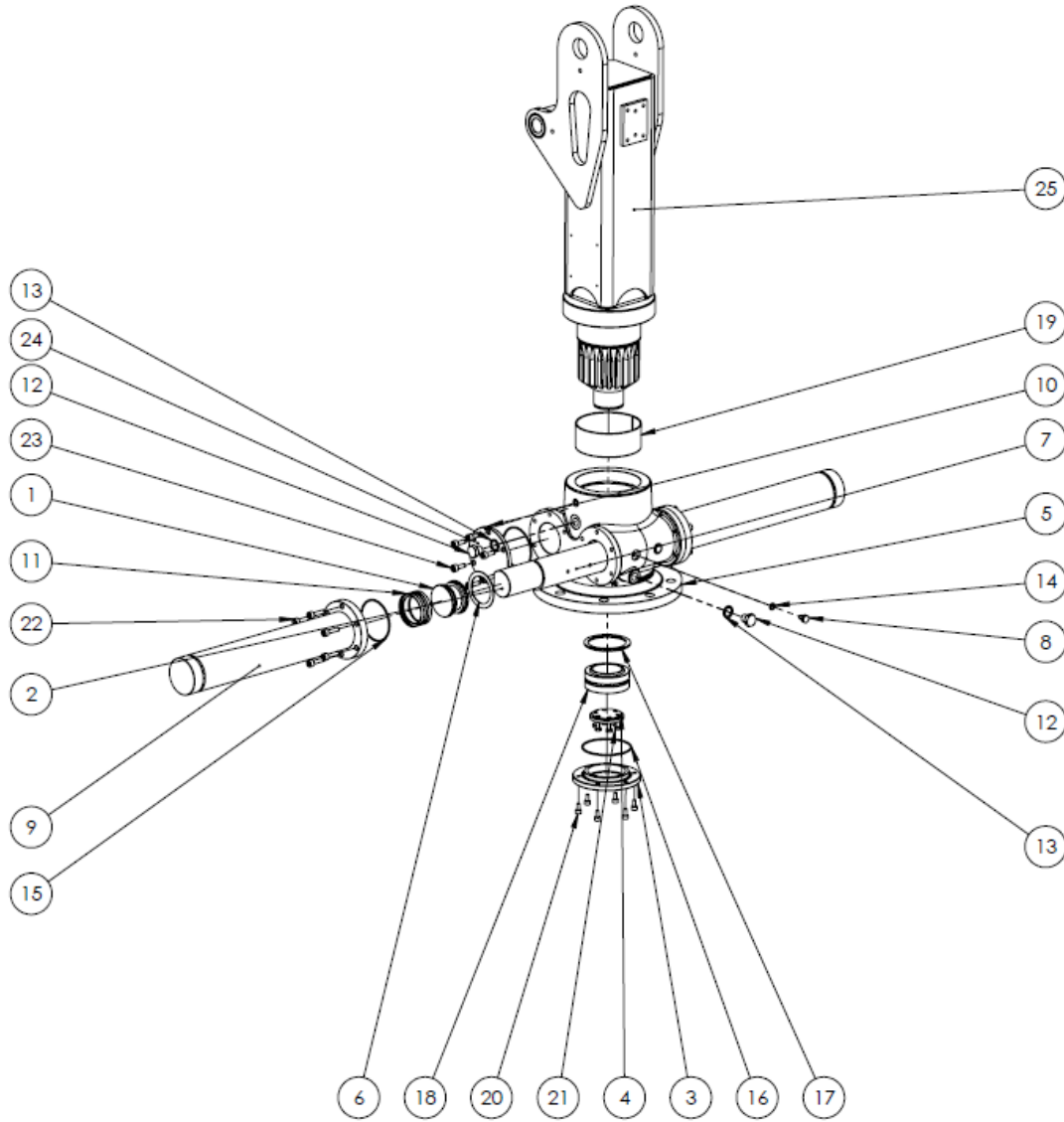
**SPARE PARTS**

# SPARE PARTS

## C4,6S G2/ C4,6D G2

### TABLE OF CONTENTS

1	SPARE PARTS .....	2
1.1	TURNHOUSE SINGLE C4,6S G2.....	2
1.2	TURNHOUSE C4,6D G2 .....	4
1.3	MAIN BOOM.....	6
1.4	OUTERBOOM .....	7
2	TECHNICAL SPECIFICATIONS .....	9
2.1	MAIN PARTS & DIMENSIONS.....	9
2.2	TECHNICAL DATA.....	10
2.3	LIFTING DIAGRAM .....	11
3	HYDRAULIC SCHEME .....	12

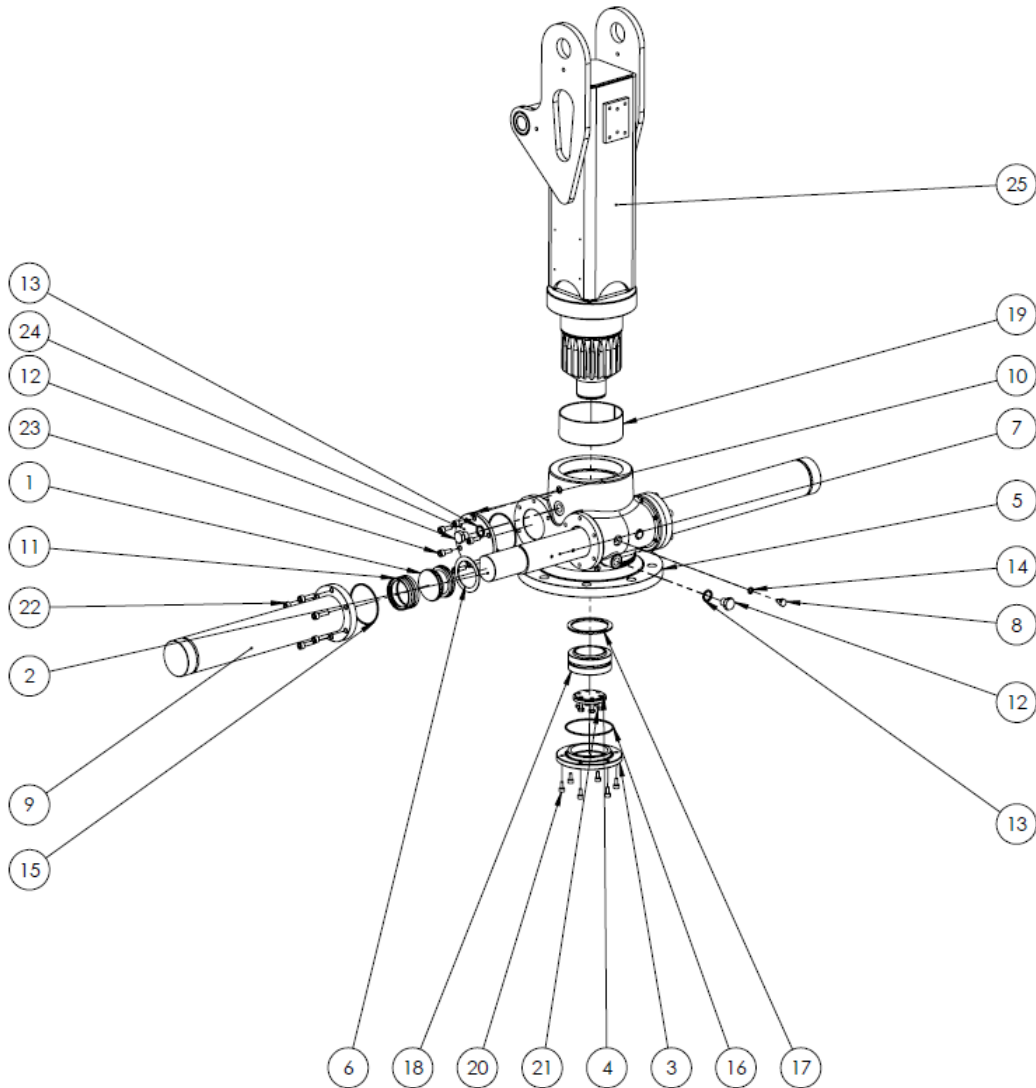
**1 SPARE PARTS**
**1.1 TURNHOUSE SINGLE C4,6S G2**

**REF: 190502**
**TURNHOUSE SINGLE C4,6S G2, FMWA00408-02**

ITEM NO.	PART NUMBER	DESCRIPTION	TYPE	QTY.
1	FMWP00591	Piston 80		2
2	FMWP04123	Rack 10	10 kNm	1
3	FMWP04124	Cover	Rnd160-23	1
4	FMWP04125	Washer	D80	1
5	FMWP04129	Body	10 kNm	1
6	FMWP04682	Washer	PLT2-89x89	2
7	FMWP04843	Slidepad 10kNm	PA6	1

*Original instructions*

8	FMWP05194	Set bolt	HEX 17xM10x1-23	4
9	312401	Slewing Cylinder 10 kNm	80-438	2
10	930105	Lubricating nipple	1/8" DIN 71412	2
11	912235	Simko sealing	80x60x22,4	2
12	914792	Plug 1/2"	7501-00-08	2
13	914584	Rubber seal	5601-01-08	2
14	914578	Rubber seal	5601-01-02; 1/8"	4
15	912314	O-ring	Ø96,0x3,0	4
16	912237	O-ring	112x3 DIN 3771	1
17	911141	Lock-ring SGH	105, DIN 472	1
18	910330	Bearing	GE 70 ES	1
19	909119	Slide bearing	150 155 60 M	1
20	916507	Bolt Hex. Socket	M8x16 DIN 912	6
21	906160	Bolt Hex. Cap	M8x25 DIN 933	6
22	906528	Bolt Hex. Socket	M10x35 DIN 912	12
23	906172	Bolt Hex. Socket	M10x25 DIN 912	12
24	FMWP05229	Cover 10 kNm single	D140	2
25	FMWS00138-02	Column	10 kNm	1

**REF: 190502**

*Original instructions*
**1.2 TURNHOUSE C4,6D G2**

**REF: 190502**
**TURNHOUSE DOUBLE C4,6D G2, FMWA00408**

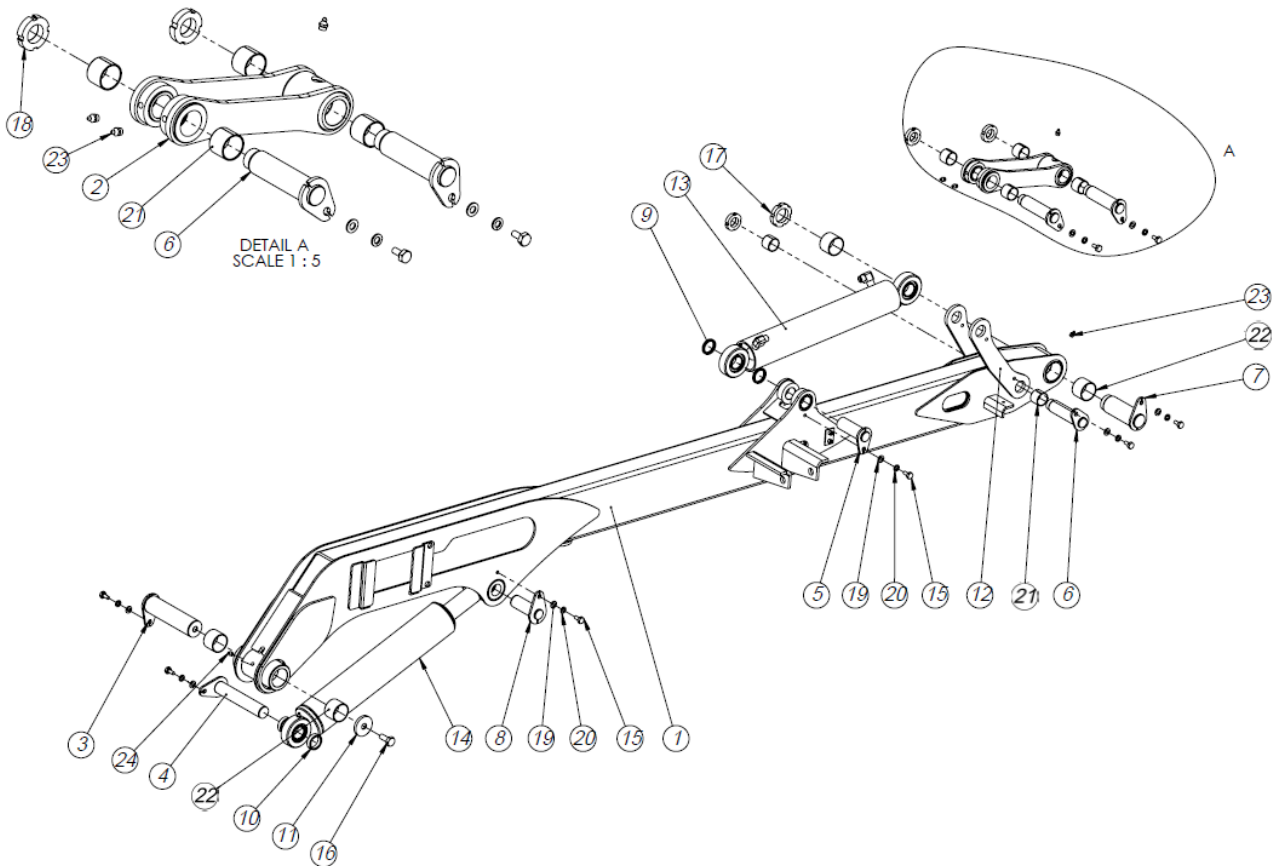
ITEM NO.	PART NUMBER	DESCRIPTION	TYPE	QTY.
1	FMWP00591	Piston 80		4
2	FMWP04123	Rack	10 kNm	2
3	FMWP04124	Cover	Rnd160-23	1
4	FMWP04125	Washer	D80	1
5	FMWP04129	Body	10 kNm	1
6	FMWP04682	Washer	PLT2-D89	4
7	FMWP04843	Slidepad 10 kNm	PA6	2
8	FMWP05194	Set bolt	HEX17xM10x1-23	4

*Original instructions*

9	312401	Hydraulic cylinder	90/80-490	4
10	930105	Lubricating nipple	1/8" DIN 71412	2
11	912235	Simko sealing	80x60x22,4	4
12	914792	Plug G 1/2"	7501-00-08	2
13	914584	Rubber seal 1/2"	5601-01-08	2
14	914578	Rubber seal 1/8"	5601-01-02	4
15	912314	O-ring	∅96,0x3,0	4
16	912237	O-ring	112x3 DIN 3771	1
17	911141	Lock-ring SGH	105, DIN 472	1
18	910330	Bearing	GE 70 ES	1
19	909119	Slide bearing	150 155 60 M	1
20	916507	Bolt Hex. Socket	M8x16 DIN 912	6
21	906160	Bolt Hex. Cap	M8x25 DIN 933	6
22	906528	Bolt Hex. Socket	M10x35 DIN 912	24
23	FMWS00138-02	Column	10 kNm	1

**REF: 190502**



**1.3 MAIN BOOM**

**REF: 190502**
**MAIN BOOM C4,6S G2/ C4,6D G2, FMWA00260**

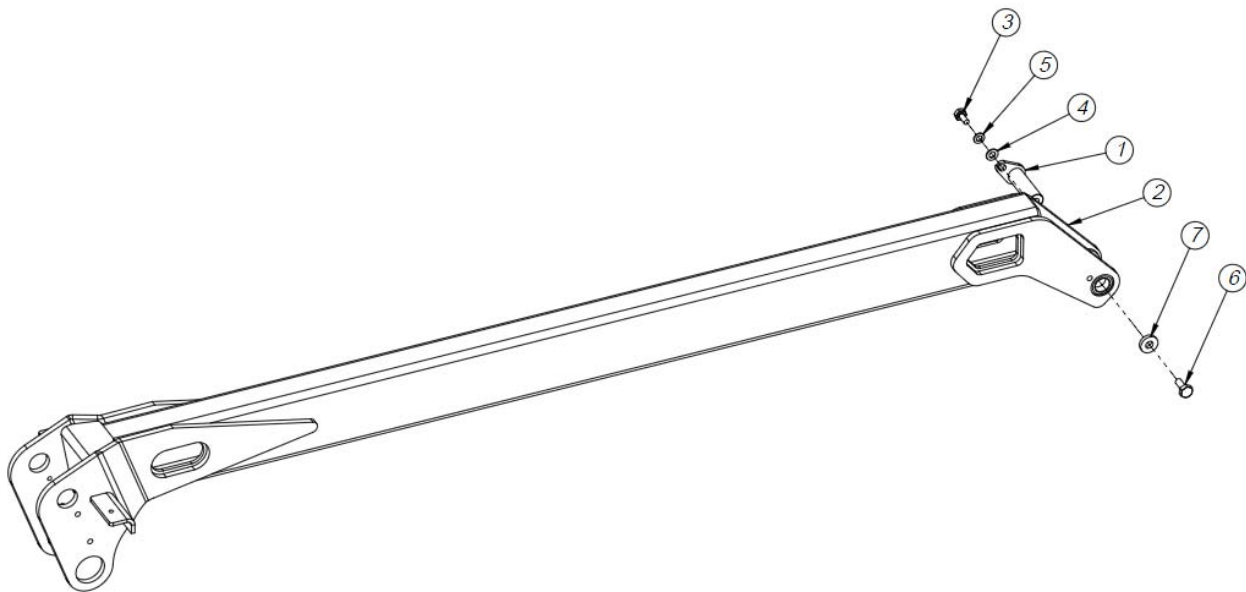
ITEM NO.	PART NUMBER	DESCRIPTION	TYPE	QTY.
1	FMWS00601	Main Boom	C4.6 G2	1
2	FMWS00500	Link Inside	C3.5/C4.6 G2	1
3	FMWS00147	Shaft	GrndØ50-203(192)	1
4	FMWS00148	Shaft	GrndØ35-206(195)	1
5	FMWS00360	Shaft	GRND35 - 109(98)	1
6	FMWS00364	Shaft	GRND35 - 146(120)	3
7	FMWS00695	Shaft	GRND50 - 146(120)	1
8	FMWS00696	Shaft	GrndØ35-106(95)	1
9	FMWP00083	Ring	PLT6-45x45	4
10	FMWP00083-01	Ring	STØ43x3,2 - 12	2
11	FMWP01100-01	Lock Washer	PLT8-60x60	1
12	FMWP02528	Link Outside C3.8/C4.6	PLT10 -340x80	2
13	313129	Hydraulic cylinder	80/40 - 400	1

*Original instructions*

	37313840	Sealing kit	Hydr cyl 80/40	1
14	313143	Hydraulic cylinder	90/40-400	1
	37313940	Sealing kit	Hydr cyl 90/40	1
15	906170	Bolt Hex. Cap	M10x20 fzb DIN 933	8
16	906225	Bolt Hex. Cap	M16x35 fzb DIN 933	1
17	907251	Nut Lock/Round	M45x1,5 N DIN 1804	1
18	907550	Nut Lock/Round	M30x1,5 N DIN 1804	3
19	908225	Washer flat	M10 fzb DIN 125	8
20	908620	Washer Spring	M10 fzb DIN 127	8
21	909145	Slide Bearing	35 39 30 P DIN 1494	6
22	909150	Slide Bearing	50 55 40 P DIN 1494	4
23	930105	Grease nipple	1/8" DIN 71412	5

**REF: 190502**

#### 1.4 OUTERBOOM


**REF: 151211**



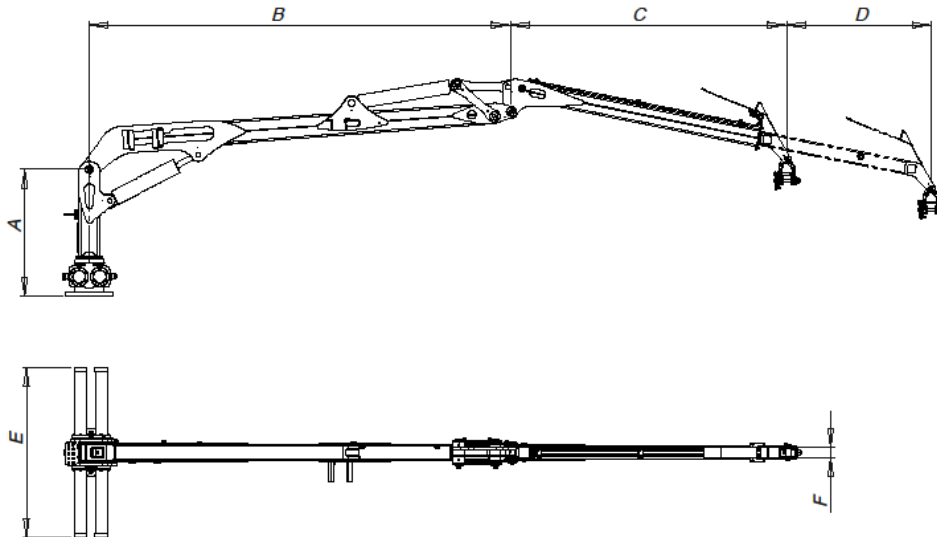
*Original instructions*
**OUTERBOOM C4,6S G2/ C4,6D G2**

ITEM NO.	PART NUMBER	DESCRIPTION	TYPE	QTY.
1	FMWS00591-06	Shaft	GrndØ25h9 - 89(80)	1
2	FMWS00602	Outerboom C4.6 G2	-	1
3	906170	Bolt Hex. Cap	M10x20 fzb DIN 933	1
4	908225	Washer flat	M10 fzb DIN 125	1
5	908620	Washer Spring	M10 fzb DIN 127	1
6	906192	Bolt Hex. Cap	M12x25 fzb DIN 933	1
7	907537	Heavy duty flat washer	M12 fzb DIN 7349	1

**REF: 151211**

## 2 TECHNICAL SPECIFICATIONS

### 2.1 MAIN PARTS & DIMENSIONS



Picture: Boom system with boom extension

ITEM	DESCRIPTION	ITEM	DIMENSIONS (mm)
A	Turnhouse	A	945
B	Main boom	B	2840
C	Outerboom	C	1775
D	Telescopic boom extension	D	-
		E	1265
		F	60

**REF: 190502 WEB**

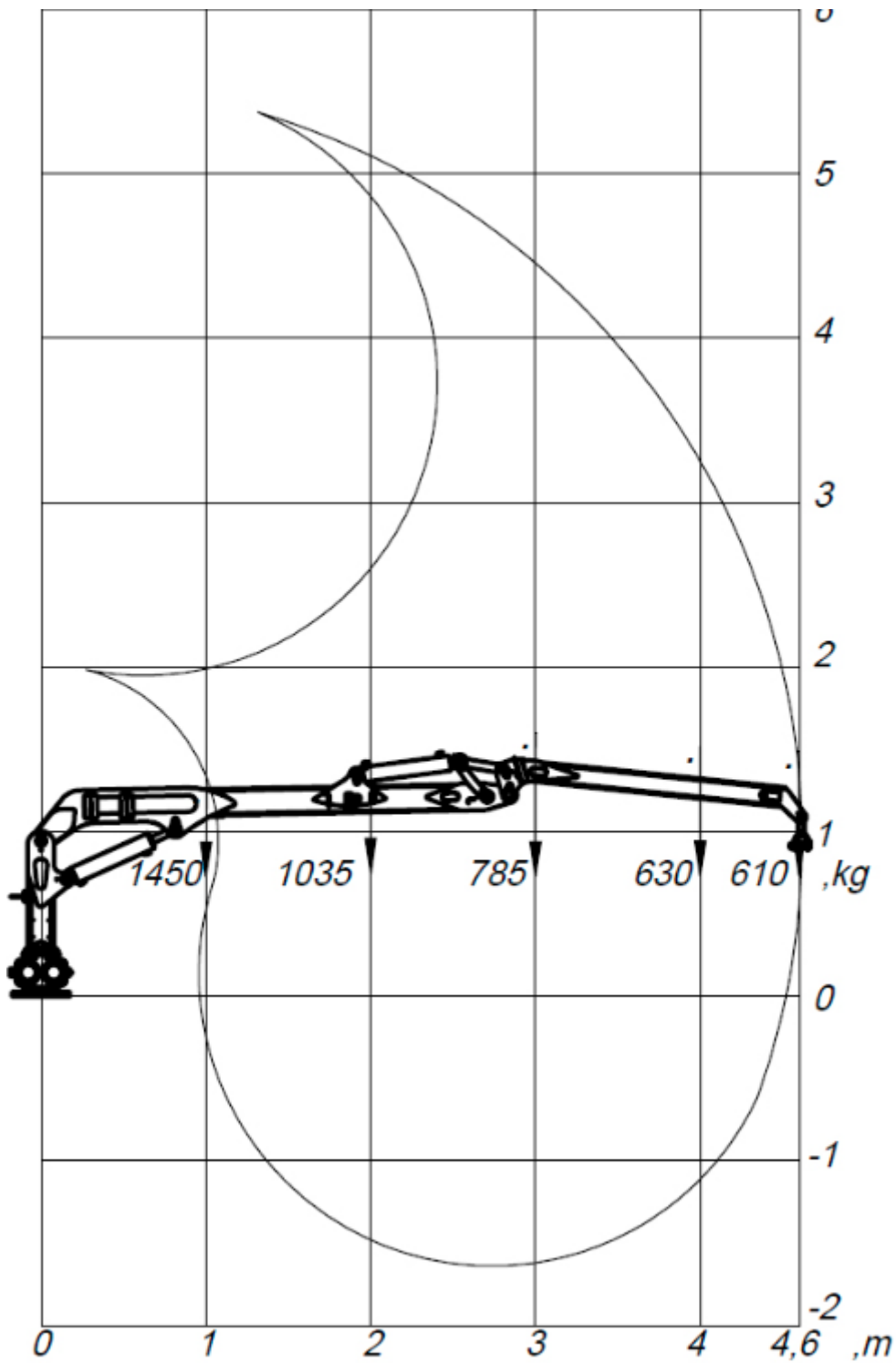
**2.2 TECHNICAL DATA**

<b>FOREST CRANE</b>	<b>C4,6S G2</b>	<b>C4,6D G2</b>
Lifting capacity net, kNm	28	28
Slewing torque, kNm	5	10
Slewing angle, °	360	360
Reach, m	4,6	4,6
Telescopic stroke length, m	-	-
Recommended flow, l/min	20-50	20-50
Working pressure, bar	190	190
Weight of loader, kg		
• excl. Grapple, rotator, link	390	420
Weight, kg incl. FG 0.12, rotator,link	460	490
Weight, kg incl. FG 0.16, rotator,link	485	515
Weight, kg incl. FG 0.20, rotator,link	525	555
Lifting force kg/max reach		
• excl. Grapple, rotator, link	610	610

**REF: 190502 WEB**

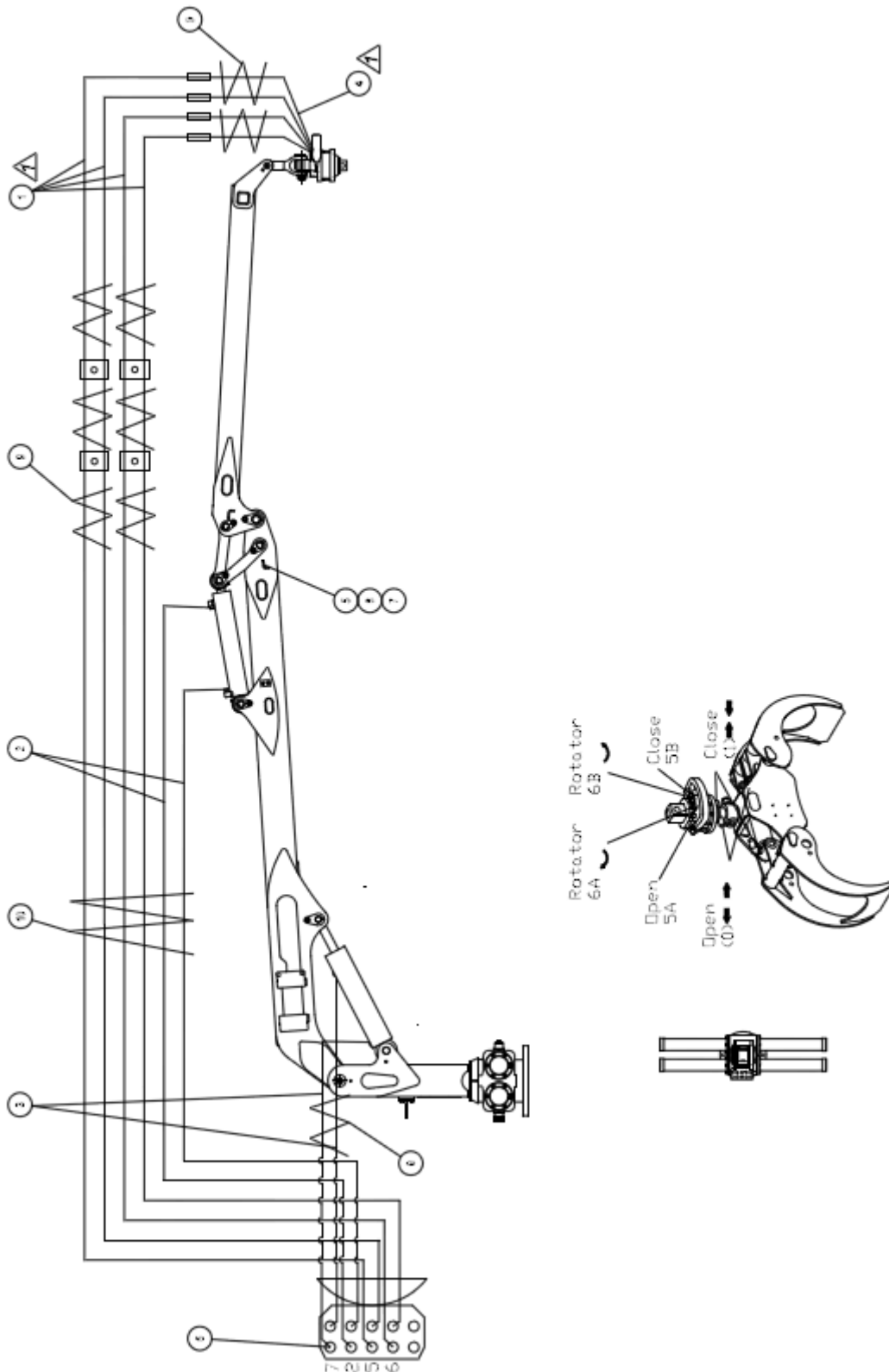
Original instructions

2.3 LIFTING DIAGRAM



REF: 190502 WEB

**3 HYDRAULIC SCHEME**



**REF: 151211**

*Original instructions*
**HYDRAULIC SCHEME C4,6S G2/ C4,6D G2, FMWH00027**

ITEM NO.	PART NO.	DESCRIPTION	TYPE	QTY.
1	FMWH00465	Hose	42010606-3/8(5600)-42020606	4
2	FMWH00466	Hose	42010606-3/8(3200)-42010606	2
3	FMWH00467	Hose	42010606-3/8(900)-42030606	2
4	FMWH00468	Hose	42010606-3/8(550)-42030606	4
5	914750	Cartridge nipple	7090-06-06; G3/8"Mx3/8"M	8
6	914564	Clip double	5390-42-18	4
7	914566	Cover plate	5394-12-01	4
8	906165	Bolt Hex. Cap	M8x40 DIN 933	4
9	930320	SPIRO PIPE	∅ 32x3 mm yellow	4m
10	930330	SPIRO PIPE	∅ 50x3,5 mm yellow	1m

**REF: 151211**